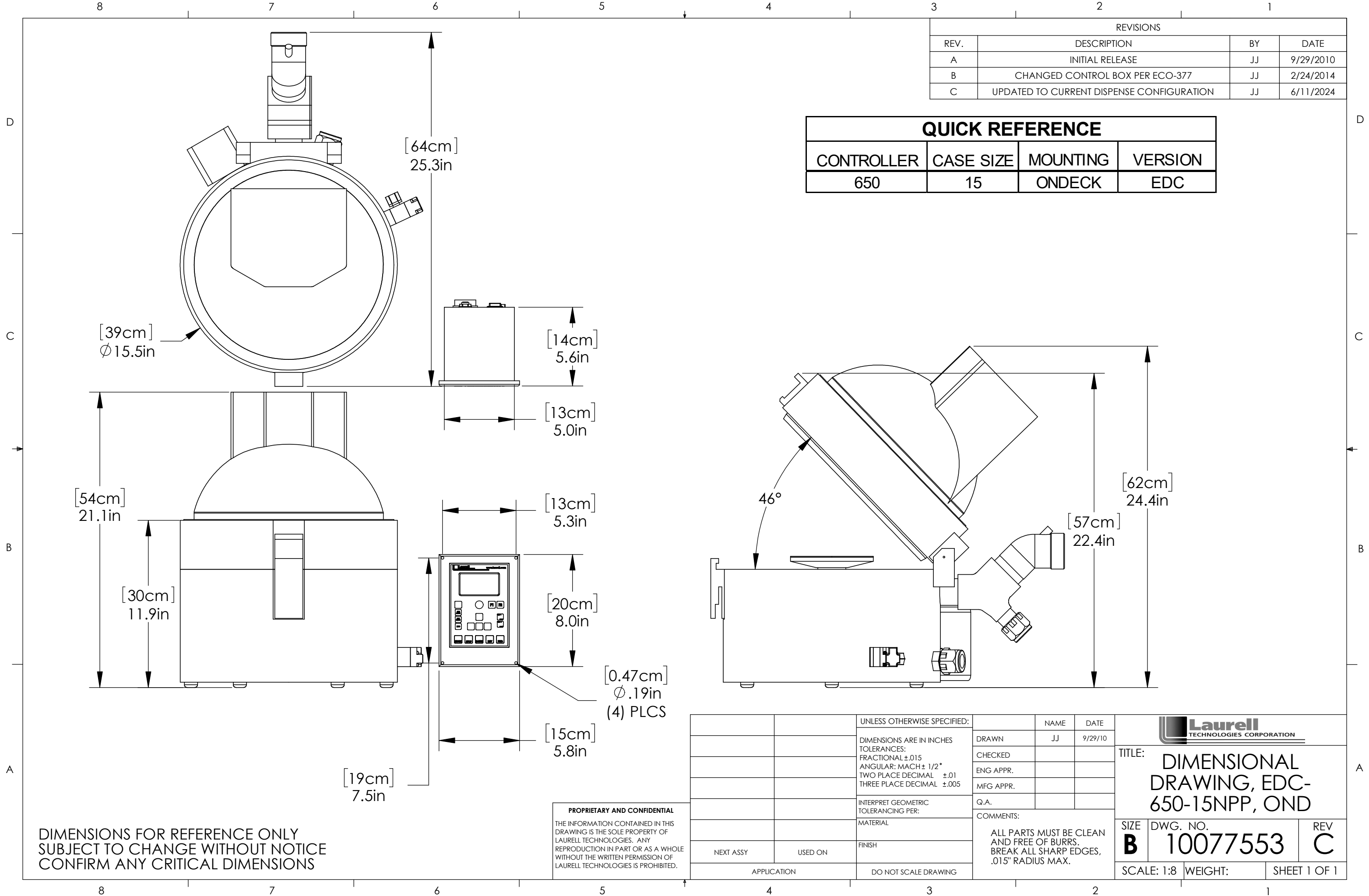


REVISIONS			
REV.	DESCRIPTION	BY	DATE
A	INITIAL RELEASE	JJ	9/29/2010
B	CHANGED CONTROL BOX PER ECO-377	JJ	2/24/2014
C	UPDATED TO CURRENT DISPENSE CONFIGURATION	JJ	6/11/2024

QUICK REFERENCE			
CONTROLLER	CASE SIZE	MOUNTING	VERSION
650	15	ONDECK	EDC



DIMENSIONS FOR REFERENCE ONLY  
 SUBJECT TO CHANGE WITHOUT NOTICE  
 CONFIRM ANY CRITICAL DIMENSIONS

**PROPRIETARY AND CONFIDENTIAL**  
 THE INFORMATION CONTAINED IN THIS DRAWING IS THE SOLE PROPERTY OF LAURELL TECHNOLOGIES. ANY REPRODUCTION IN PART OR AS A WHOLE WITHOUT THE WRITTEN PERMISSION OF LAURELL TECHNOLOGIES IS PROHIBITED.

UNLESS OTHERWISE SPECIFIED:		NAME	DATE	
DIMENSIONS ARE IN INCHES		DRAWN	JJ	
TOLERANCES:		CHECKED		<b>TITLE:</b> DIMENSIONAL DRAWING, EDC-650-15NPP, OND
FRACTIONAL: ±.015		ENG APPR.		
ANGULAR: MACH ± 1/2°		MFG APPR.		
TWO PLACE DECIMAL ±.01		Q.A.		<b>SIZE</b> DWG. NO. <b>REV</b> <b>B</b> 10077553 <b>C</b>
THREE PLACE DECIMAL ±.005		COMMENTS:		
INTERPRET GEOMETRIC TOLERANCING PER:		ALL PARTS MUST BE CLEAN AND FREE OF BURRS. BREAK ALL SHARP EDGES, .015" RADIUS MAX.		SCALE: 1:8 WEIGHT: SHEET 1 OF 1
MATERIAL				
NEXT ASSY	USED ON			
FINISH				
APPLICATION		DO NOT SCALE DRAWING		