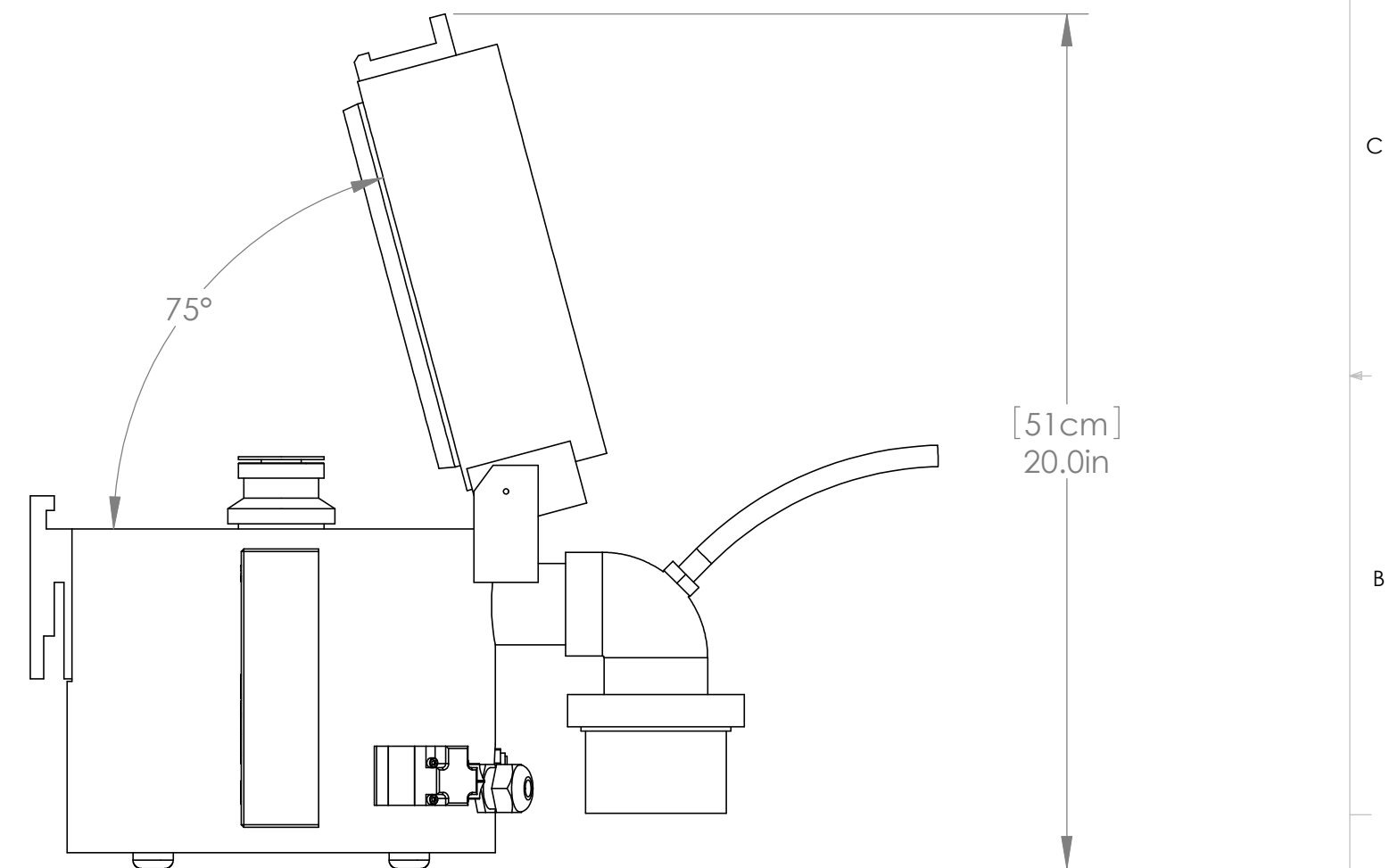
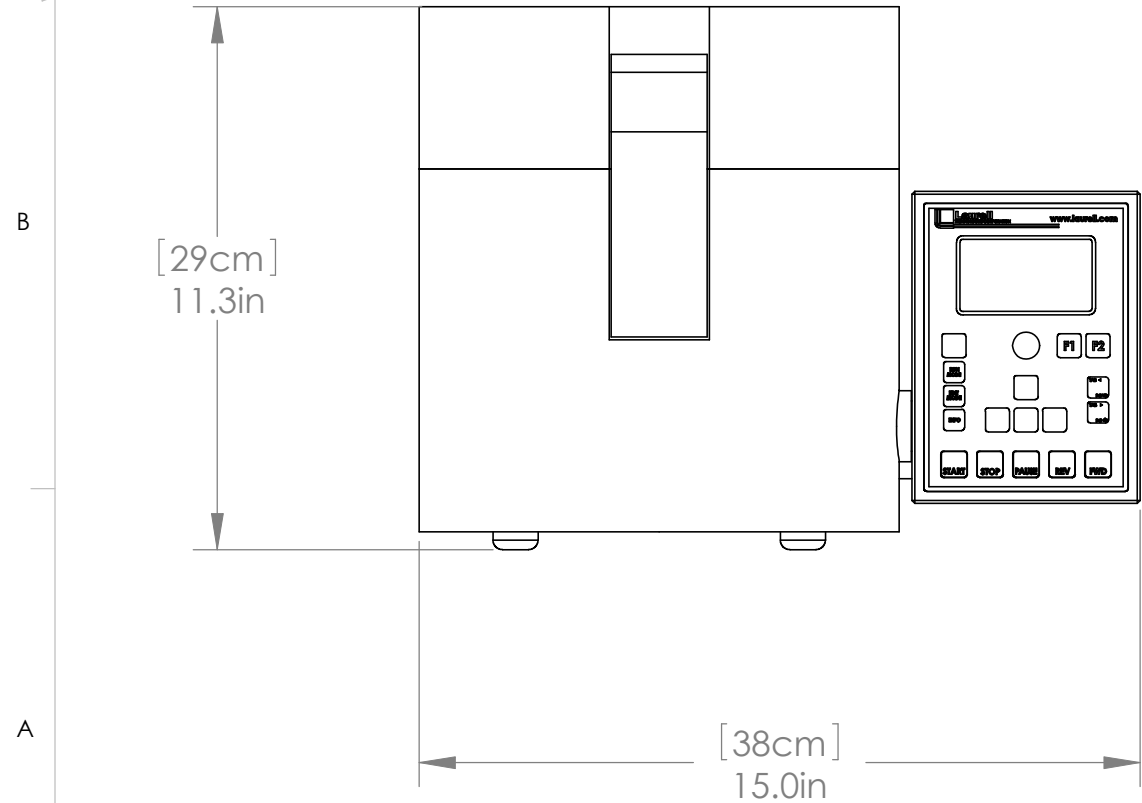
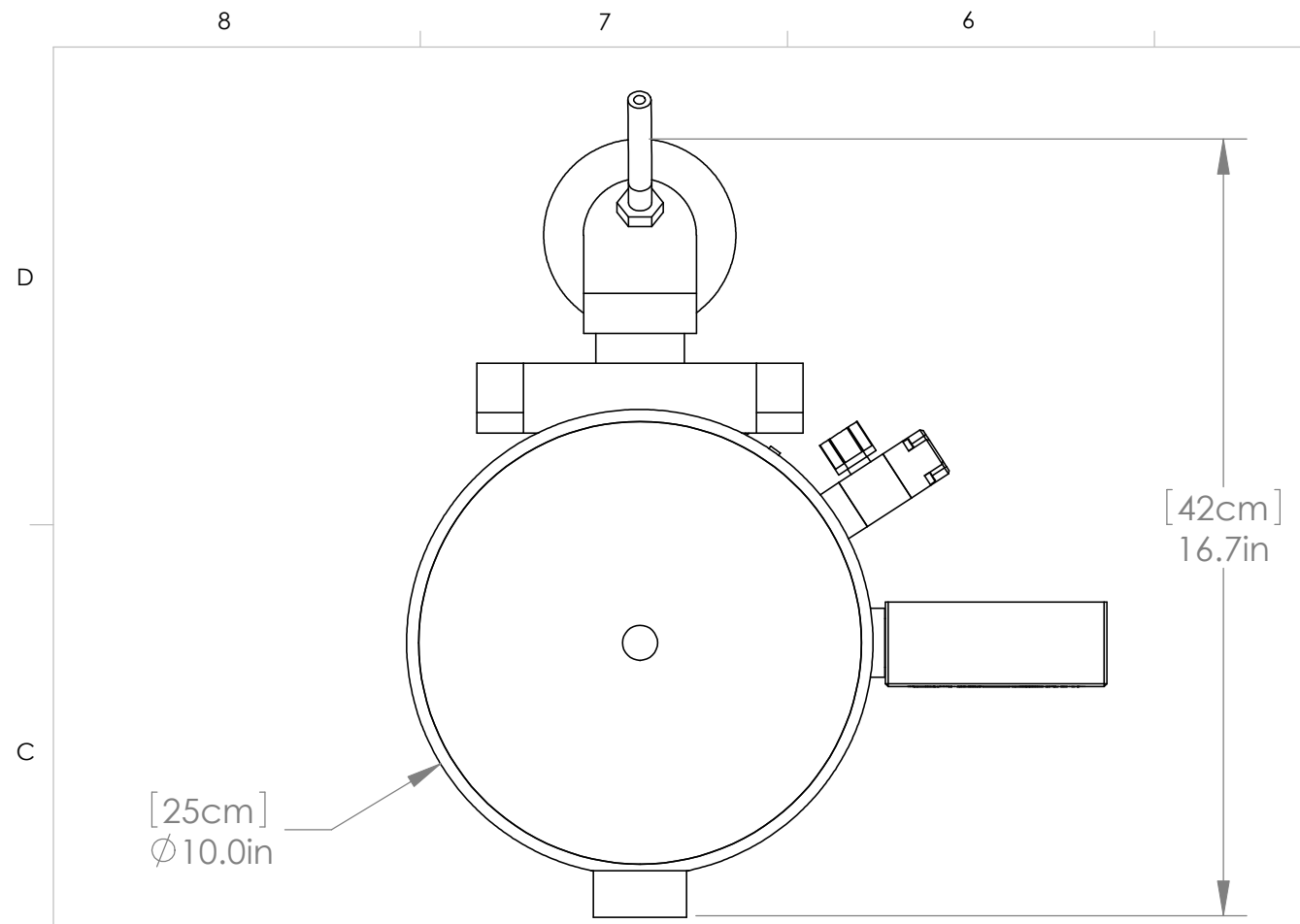


REVISIONS			
REV.	DESCRIPTION	BY	DATE
A	INITIAL RELEASE	JJ	9/29/2010

QUICK REFERENCE			
CONTROLLER	CASE SIZE	MOUNTING	VERSION
650	23	DESKTOP	LITE



PROPRIETARY AND CONFIDENTIAL
 THE INFORMATION CONTAINED IN THIS DRAWING IS THE SOLE PROPERTY OF LAURELL TECHNOLOGIES. ANY REPRODUCTION IN PART OR AS A WHOLE WITHOUT THE WRITTEN PERMISSION OF LAURELL TECHNOLOGIES IS PROHIBITED.

UNLESS OTHERWISE SPECIFIED:		NAME	DATE		
DIMENSIONS ARE IN INCHES		DRAWN	JJ		TITLE: DIMENSIONAL DRAWING, WS-650-23NPP LITE
TOLERANCES:		CHECKED			
FRACTIONAL ±.015		ENG APPR.			
ANGULAR: MACH ± 1/2°		MFG APPR.			
TWO PLACE DECIMAL ±.01		Q.A.			
THREE PLACE DECIMAL ±.005		COMMENTS:		SIZE DWG. NO. REV B 10077301 A	
INTERPRET GEOMETRIC TOLERANCING PER:		ALL PARTS MUST BE CLEAN AND FREE OF BURRS. BREAK ALL SHARP EDGES, .015" RADIUS MAX.			
MATERIAL		SCALE: 1:8 WEIGHT: SHEET 1 OF 1			
FINISH	DO NOT SCALE DRAWING				
NEXT ASSY	USED ON				
APPLICATION					