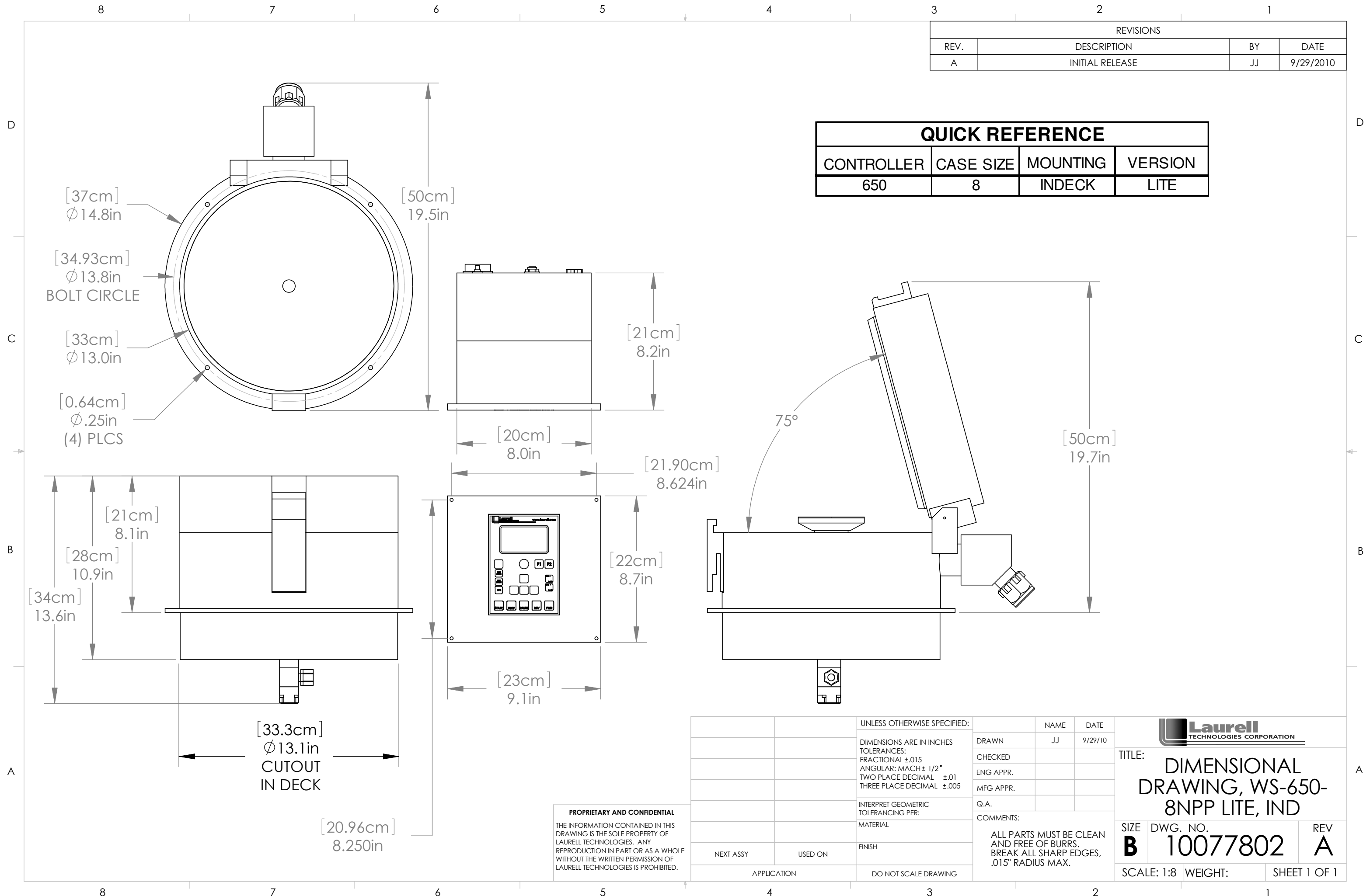


REVISIONS			
REV.	DESCRIPTION	BY	DATE
A	INITIAL RELEASE	JJ	9/29/2010

QUICK REFERENCE			
CONTROLLER	CASE SIZE	MOUNTING	VERSION
650	8	INDECK	LITE



**PROPRIETARY AND CONFIDENTIAL**  
 THE INFORMATION CONTAINED IN THIS DRAWING IS THE SOLE PROPERTY OF LAURELL TECHNOLOGIES. ANY REPRODUCTION IN PART OR AS A WHOLE WITHOUT THE WRITTEN PERMISSION OF LAURELL TECHNOLOGIES IS PROHIBITED.

UNLESS OTHERWISE SPECIFIED:		NAME	DATE
DIMENSIONS ARE IN INCHES		DRAWN	JJ 9/29/10
TOLERANCES:		CHECKED	
FRACTIONAL ± .015		ENG APPR.	
ANGULAR: MACH ± 1/2°		MFG APPR.	
TWO PLACE DECIMAL ± .01		Q.A.	
THREE PLACE DECIMAL ± .005		COMMENTS:	
INTERPRET GEOMETRIC TOLERANCING PER:		ALL PARTS MUST BE CLEAN AND FREE OF BURRS. BREAK ALL SHARP EDGES, .015" RADIUS MAX.	
MATERIAL			
FINISH			
NEXT ASSY	USED ON		
APPLICATION	DO NOT SCALE DRAWING		

**Laurell TECHNOLOGIES CORPORATION**

TITLE: **DIMENSIONAL DRAWING, WS-650-8NPP LITE, IND**

SIZE **B** DWG. NO. **10077802** REV **A**

SCALE: 1:8 WEIGHT: SHEET 1 OF 1