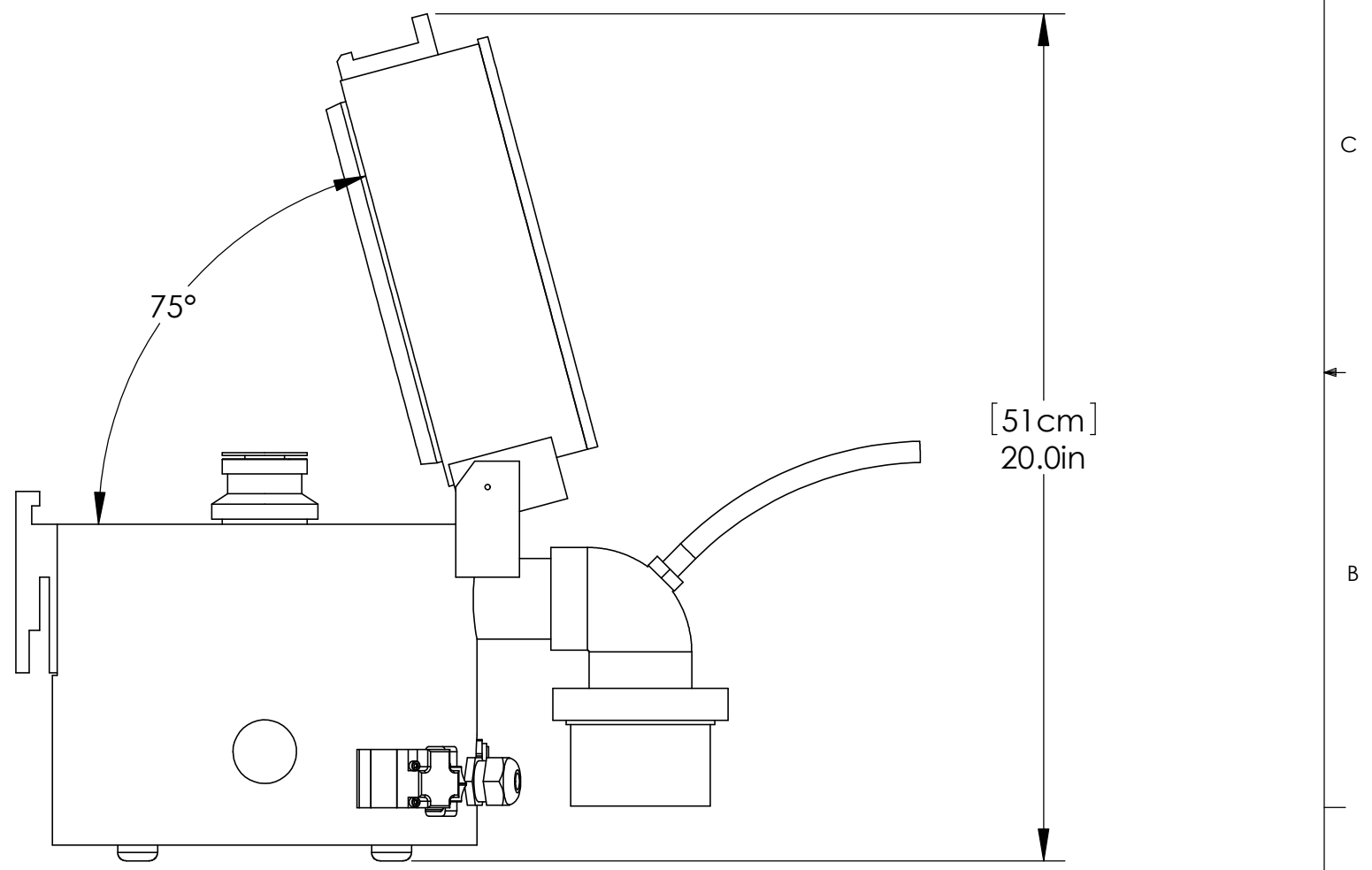
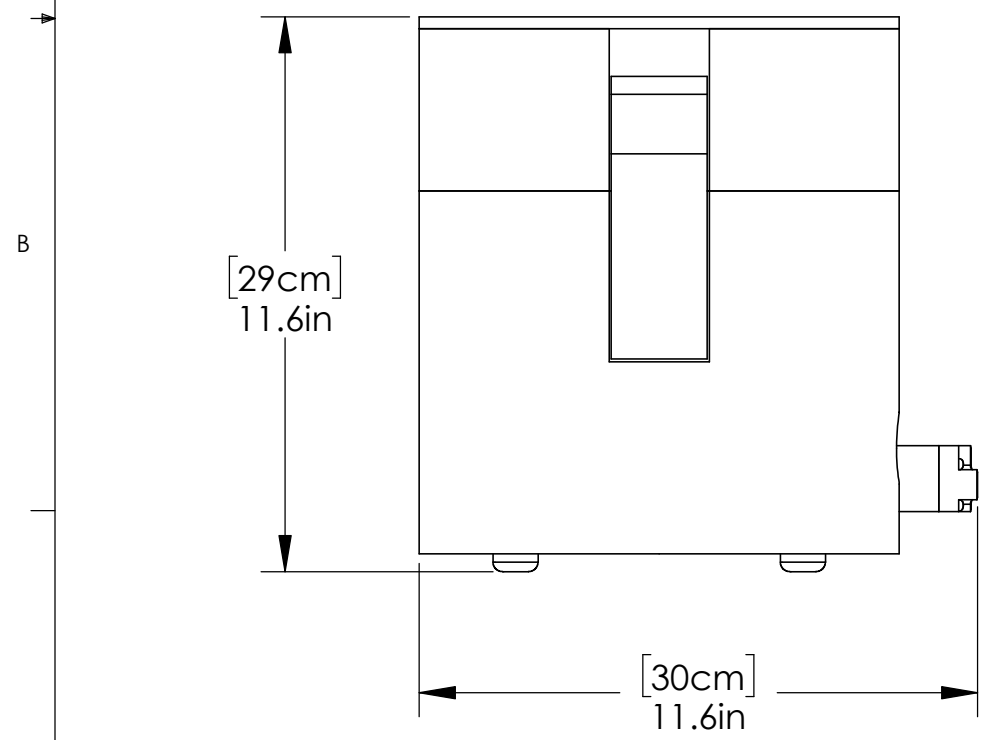
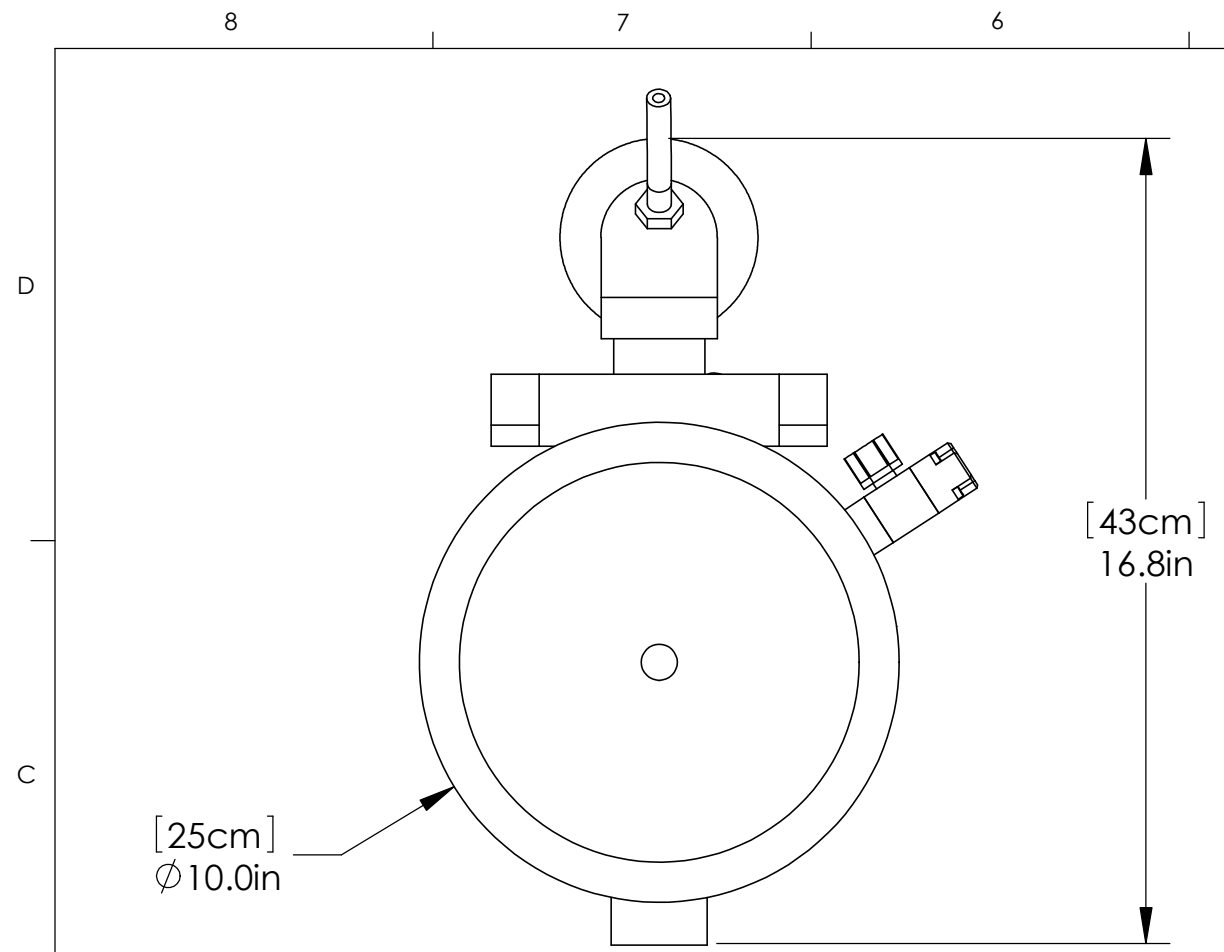


REVISIONS			
REV.	DESCRIPTION	BY	DATE
A	INITIAL RELEASE	JJ	1/14/2016
B	ADDED LID RING	JJ	6/7/2024

QUICK REFERENCE			
CONTROLLER	CASE SIZE	MOUNTING	VERSION
650	23	DESKTOP	HL



DIMENSIONS FOR REFERENCE ONLY  
SUBJECT TO CHANGE WITHOUT NOTICE  
CONFIRM ANY CRITICAL DIMENSIONS

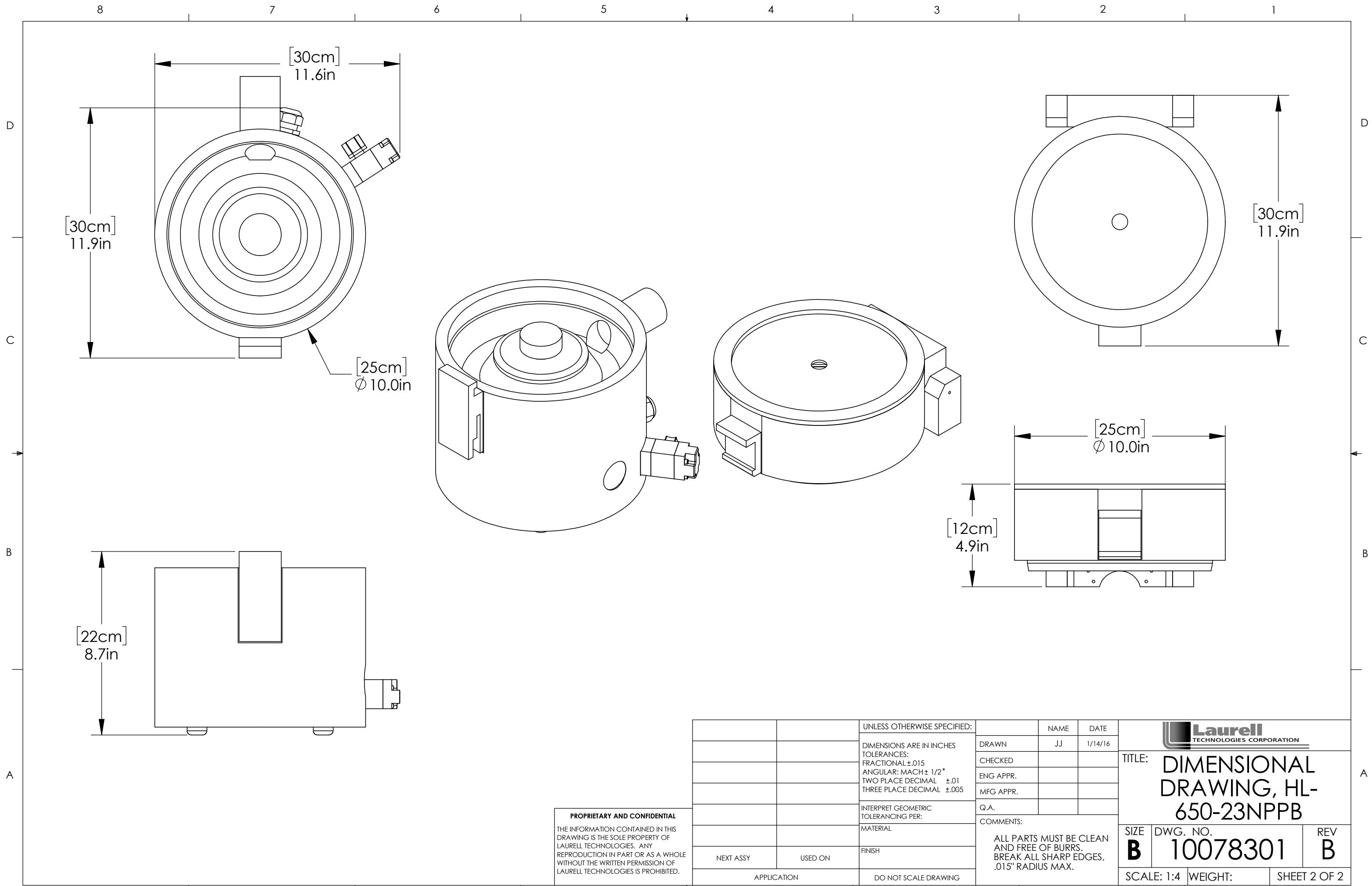
**PROPRIETARY AND CONFIDENTIAL**  
THE INFORMATION CONTAINED IN THIS DRAWING IS THE SOLE PROPERTY OF LAURELL TECHNOLOGIES. ANY REPRODUCTION IN PART OR AS A WHOLE WITHOUT THE WRITTEN PERMISSION OF LAURELL TECHNOLOGIES IS PROHIBITED.

UNLESS OTHERWISE SPECIFIED:		NAME	DATE
DIMENSIONS ARE IN INCHES TOLERANCES: FRACTIONAL: ±.015 ANGULAR: MACH ± 1/2° TWO PLACE DECIMAL ±.01 THREE PLACE DECIMAL ±.005		DRAWN	JJ 1/14/16
INTERPRET GEOMETRIC TOLERANCING PER:		CHECKED	
MATERIAL		ENG APPR.	
FINISH		MFG APPR.	
NEXT ASSY	USED ON	Q.A.	
APPLICATION	DO NOT SCALE DRAWING	COMMENTS:	

**Laurell**  
TECHNOLOGIES CORPORATION

TITLE: **DIMENSIONAL DRAWING, HL-650-23NPPB**

SIZE <b>B</b>	DWG. NO. <b>10078301</b>	REV <b>B</b>
SCALE: 1:8	WEIGHT:	SHEET 1 OF 2



**PROPRIETARY AND CONFIDENTIAL**  
 THE INFORMATION CONTAINED IN THIS DRAWING IS THE SOLE PROPERTY OF LAURELL TECHNOLOGIES. ANY REPRODUCTION IN PART OR AS A WHOLE WITHOUT THE WRITTEN PERMISSION OF LAURELL TECHNOLOGIES IS PROHIBITED.

		UNLESS OTHERWISE SPECIFIED:		NAME	DATE
		DIMENSIONS ARE IN INCHES		DRAWN	JJ 1/14/16
		TOLERANCES:		CHECKED	
		FRACTIONAL: ±.015		ENG APPR.	
		ANGULAR: MACH ± 1/2°		MFG APPR.	
		TWO PLACE DECIMAL ±.01		Q.A.	
		THREE PLACE DECIMAL ±.005		COMMENTS:	
		INTERPRET GEOMETRIC TOLERANCING PER:		ALL PARTS MUST BE CLEAN AND FREE OF BURRS. BREAK ALL SHARP EDGES, .015" RADIUS MAX.	
		MATERIAL			
		FINISH			
NEXT ASSY	USED ON	APPLICATION		SCALE: 1:4	WEIGHT:
		DO NOT SCALE DRAWING		SHEET 2 OF 2	

**Laurell**  
 TECHNOLOGIES CORPORATION

TITLE: **DIMENSIONAL DRAWING, HL-650-23NPPB**

SIZE **B** DWG. NO. **10078301** REV **B**