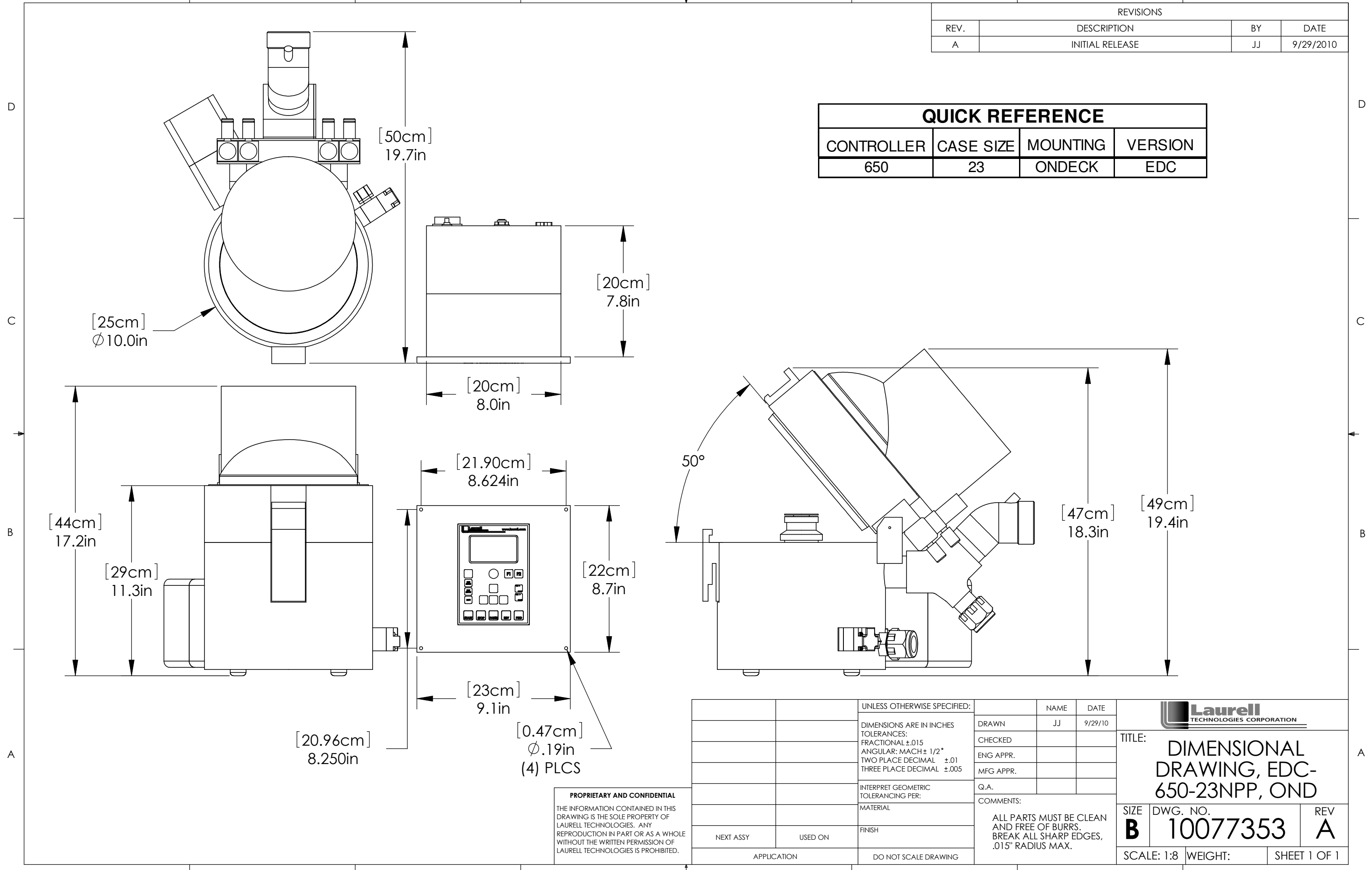


REVISIONS			
REV.	DESCRIPTION	BY	DATE
A	INITIAL RELEASE	JJ	9/29/2010

QUICK REFERENCE			
CONTROLLER	CASE SIZE	MOUNTING	VERSION
650	23	ONDECK	EDC



**PROPRIETARY AND CONFIDENTIAL**  
 THE INFORMATION CONTAINED IN THIS DRAWING IS THE SOLE PROPERTY OF LAURELL TECHNOLOGIES. ANY REPRODUCTION IN PART OR AS A WHOLE WITHOUT THE WRITTEN PERMISSION OF LAURELL TECHNOLOGIES IS PROHIBITED.

UNLESS OTHERWISE SPECIFIED:	
DIMENSIONS ARE IN INCHES	
TOLERANCES:	
FRACTIONAL ±.015	
ANGULAR: MACH ± 1/2°	
TWO PLACE DECIMAL ±.01	
THREE PLACE DECIMAL ±.005	
INTERPRET GEOMETRIC TOLERANCING PER:	
MATERIAL	
FINISH	
DO NOT SCALE DRAWING	

	NAME	DATE
DRAWN	JJ	9/29/10
CHECKED		
ENG APPR.		
MFG APPR.		
Q.A.		
COMMENTS:	ALL PARTS MUST BE CLEAN AND FREE OF BURRS. BREAK ALL SHARP EDGES, .015" RADIUS MAX.	

**Laurell**  
 TECHNOLOGIES CORPORATION

TITLE: **DIMENSIONAL DRAWING, EDC-650-23NPP, OND**

SIZE <b>B</b>	DWG. NO. <b>10077353</b>	REV <b>A</b>
SCALE: 1:8	WEIGHT:	SHEET 1 OF 1