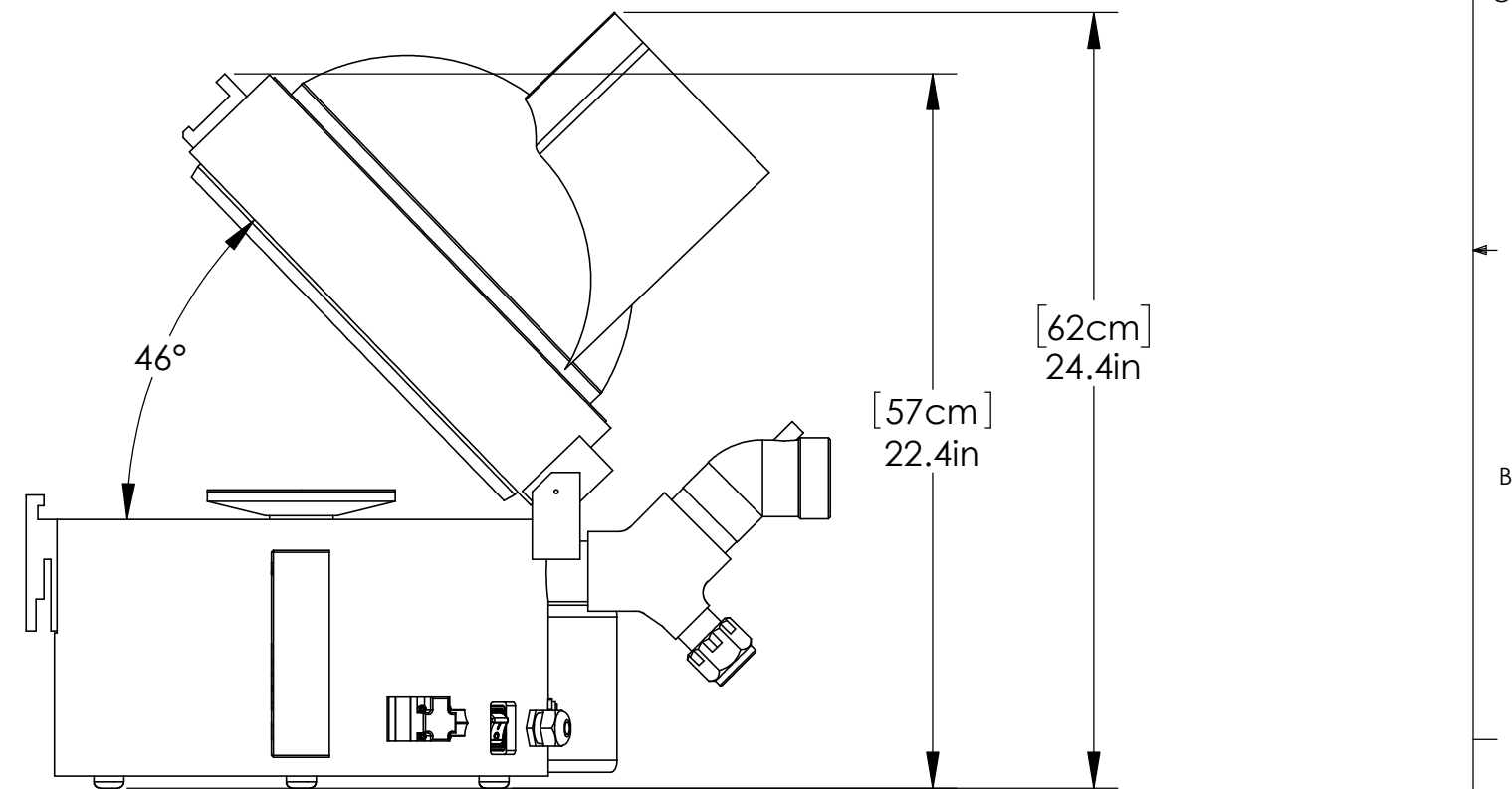
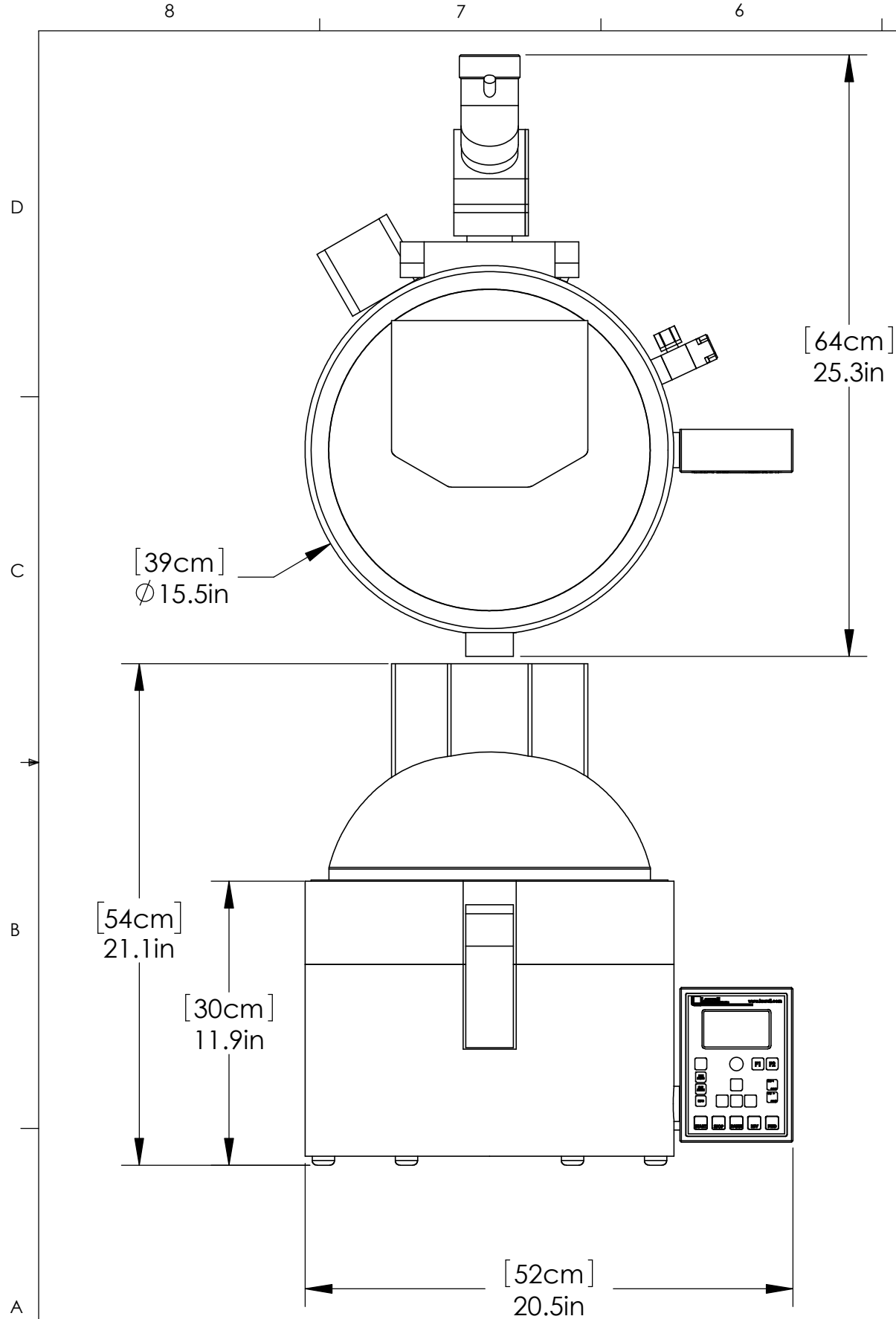


REVISIONS			
REV.	DESCRIPTION	BY	DATE
A	INITIAL RELEASE	JJ	9/29/2010
B	UPDATED TO CURRENT DISPENSE CONFIGURATION	JJ	6/11/2024

QUICK REFERENCE			
CONTROLLER	CASE SIZE	MOUNTING	VERSION
650	15	DESKTOP	EDC



DIMENSIONS FOR REFERENCE ONLY
SUBJECT TO CHANGE WITHOUT NOTICE
CONFIRM ANY CRITICAL DIMENSIONS

PROPRIETARY AND CONFIDENTIAL
THE INFORMATION CONTAINED IN THIS DRAWING IS THE SOLE PROPERTY OF LAURELL TECHNOLOGIES. ANY REPRODUCTION IN PART OR AS A WHOLE WITHOUT THE WRITTEN PERMISSION OF LAURELL TECHNOLOGIES IS PROHIBITED.

UNLESS OTHERWISE SPECIFIED:		NAME	DATE		
DIMENSIONS ARE IN INCHES		DRAWN	JJ		TITLE: DIMENSIONAL DRAWING, EDC-650-15NPP
TOLERANCES:		CHECKED			
FRACTIONAL: ±.015		ENG APPR.			
ANGULAR: MACH ± 1/2°		MFG APPR.			
TWO PLACE DECIMAL ±.01		Q.A.		SIZE DWG. NO. REV B 10077551 B	
THREE PLACE DECIMAL ±.005		COMMENTS:			
INTERPRET GEOMETRIC TOLERANCING PER:	MATERIAL	ALL PARTS MUST BE CLEAN AND FREE OF BURRS. BREAK ALL SHARP EDGES, .015" RADIUS MAX.		SCALE: 1:8	
FINISH	DO NOT SCALE DRAWING			WEIGHT:	
NEXT ASSY	USED ON			SHEET 1 OF 1	
APPLICATION					