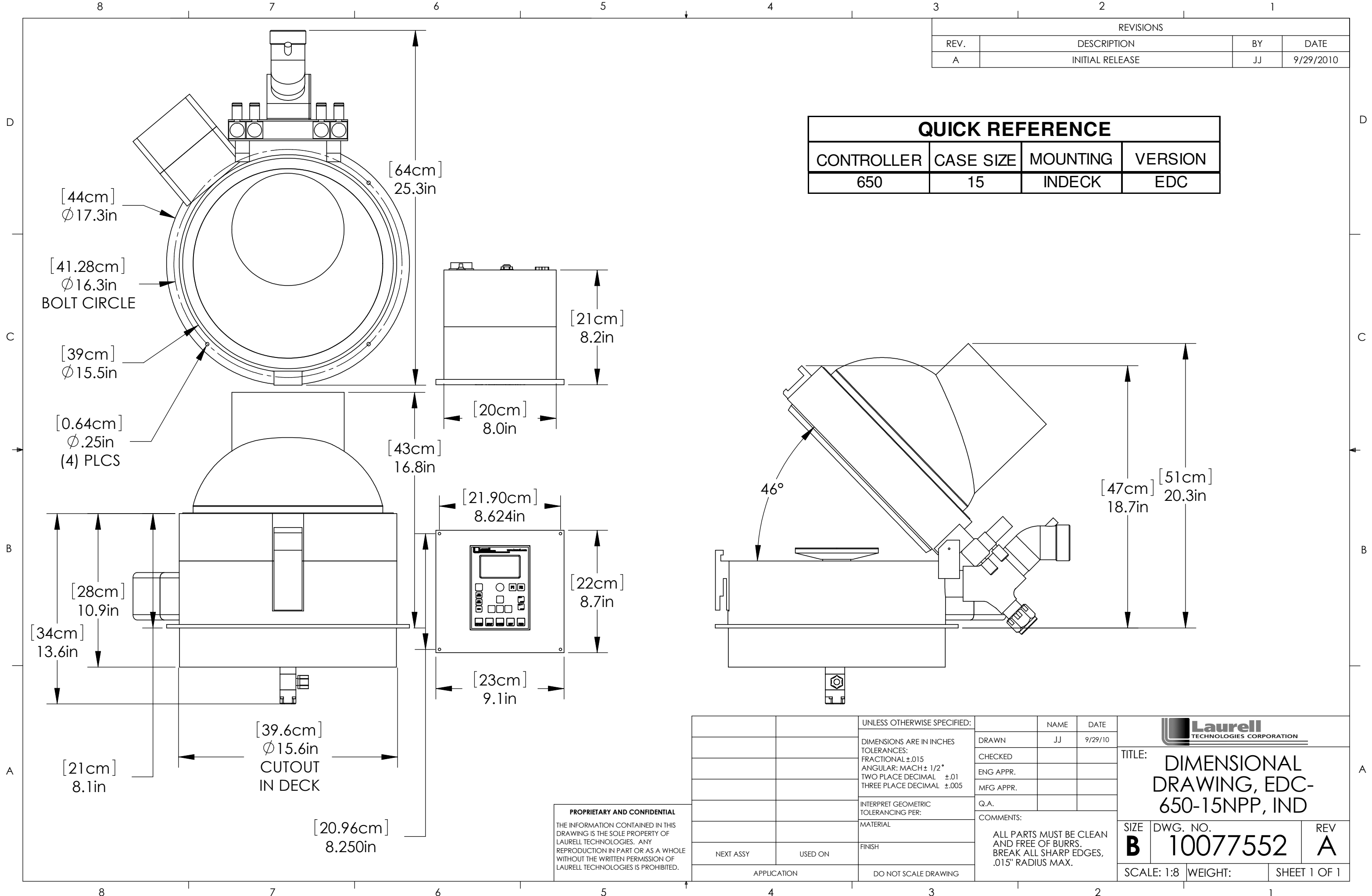


REVISIONS			
REV.	DESCRIPTION	BY	DATE
A	INITIAL RELEASE	JJ	9/29/2010

QUICK REFERENCE			
CONTROLLER	CASE SIZE	MOUNTING	VERSION
650	15	INDECK	EDC



**PROPRIETARY AND CONFIDENTIAL**  
 THE INFORMATION CONTAINED IN THIS DRAWING IS THE SOLE PROPERTY OF LAURELL TECHNOLOGIES. ANY REPRODUCTION IN PART OR AS A WHOLE WITHOUT THE WRITTEN PERMISSION OF LAURELL TECHNOLOGIES IS PROHIBITED.

UNLESS OTHERWISE SPECIFIED:		NAME	DATE
DIMENSIONS ARE IN INCHES		DRAWN	JJ 9/29/10
TOLERANCES:		CHECKED	
FRACTIONAL ±.015		ENG APPR.	
ANGULAR: MACH ± 1/2°		MFG APPR.	
TWO PLACE DECIMAL ±.01		Q.A.	
THREE PLACE DECIMAL ±.005		COMMENTS:	
INTERPRET GEOMETRIC TOLERANCING PER:		ALL PARTS MUST BE CLEAN AND FREE OF BURRS. BREAK ALL SHARP EDGES, .015" RADIUS MAX.	
MATERIAL		SIZE	DWG. NO.
FINISH		<b>B</b>	<b>10077552</b>
NEXT ASSY	USED ON	REV	<b>A</b>
APPLICATION	DO NOT SCALE DRAWING	SCALE: 1:8	WEIGHT:
		SHEET 1 OF 1	



**TITLE:**  
 DIMENSIONAL DRAWING, EDC-650-15NPP, IND