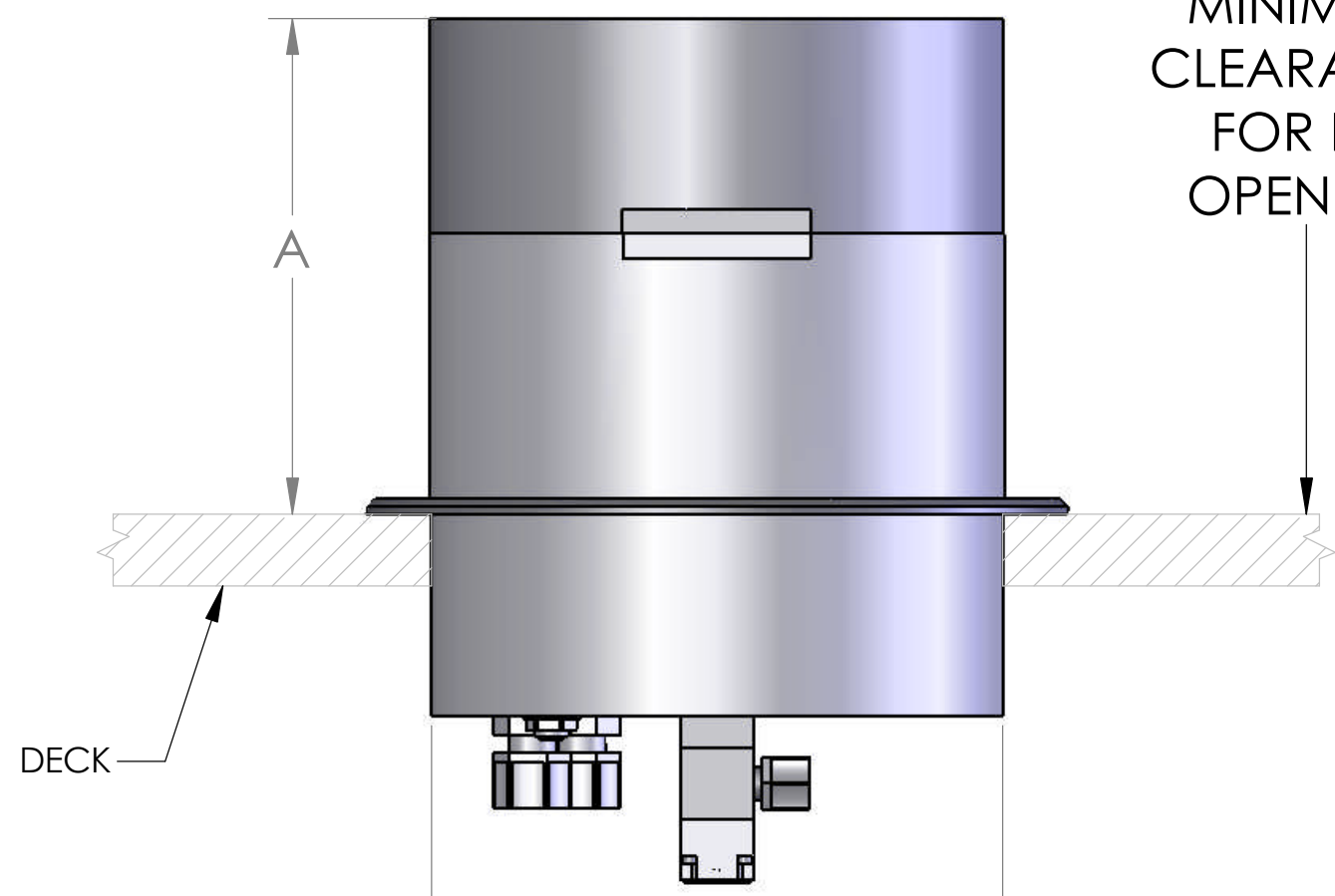


	6 SERIES	23 SERIES	8 SERIES	15 SERIES
A	7.8" [19.81cm]	7.8" [19.81cm]	7.8" [19.81cm]	7.8" [19.81cm]
B	9.10" [23.11cm]	10.1" [25.65cm]	13.10" [33.27cm]	15.6" [39.62cm]
C	15" [38.10cm]	17" [43.18cm]	20" [50.80cm]	22" [55.88cm]
D	7" [17.78cm]	5" [12.70cm]	5" [12.70cm]	5" [12.70cm]
E	11" [27.94cm]	12" [30.48cm]	15" [38.10cm]	17.3" [43.94cm]
F	10" [25.4 cm]	11" [27.94cm]	13.75" [34.9cm]	16.3" [41.4cm]

REVISIONS			
REV.	DESCRIPTION	BY	DATE
A	INITIAL RELEASE	LC	11/15/2000
B	RERELEASE PER ECO-148	LC	10/19/2001
C	UPDATED PER ECO-246	JJ	7/13/2005
D	ADDED 23 SERIES PER ECO-284	JJ	12/7/2006

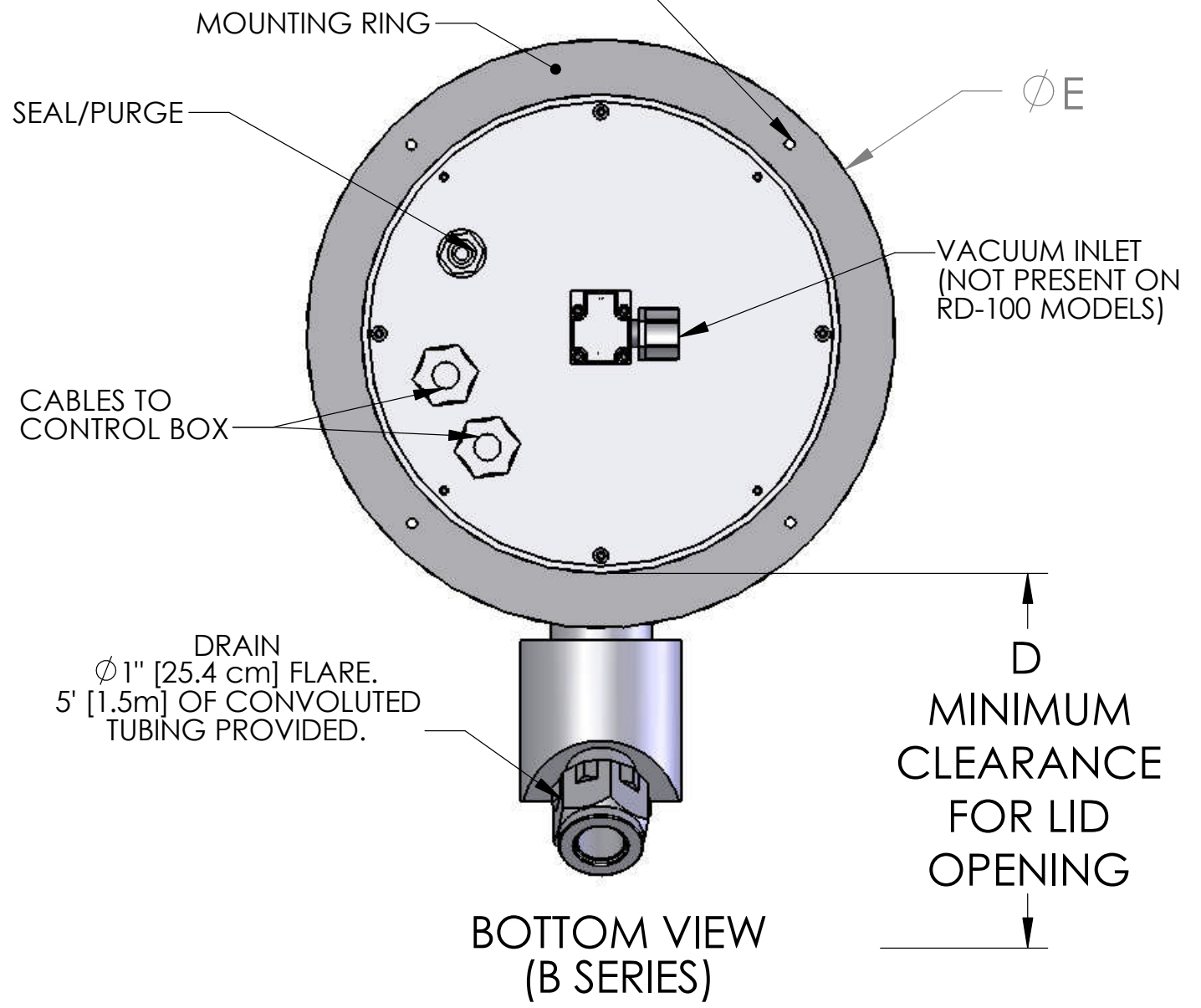
FOR WS-400/500 SERIES CONTROL BOX INSTALLATION, SEE DWG. 10070038
 FOR RD-100 SERIES CONTROL PANEL INSTALLATION, SEE DWG. 10070039

(4) \varnothing 3/16" [5mm] HOLES,
 \varnothing F BOLT CIRCLE



\varnothing B
 CUTOUT
 IN DECK
 FRONT VIEW

C
 MINIMUM
 CLEARANCE
 FOR LID
 OPENING

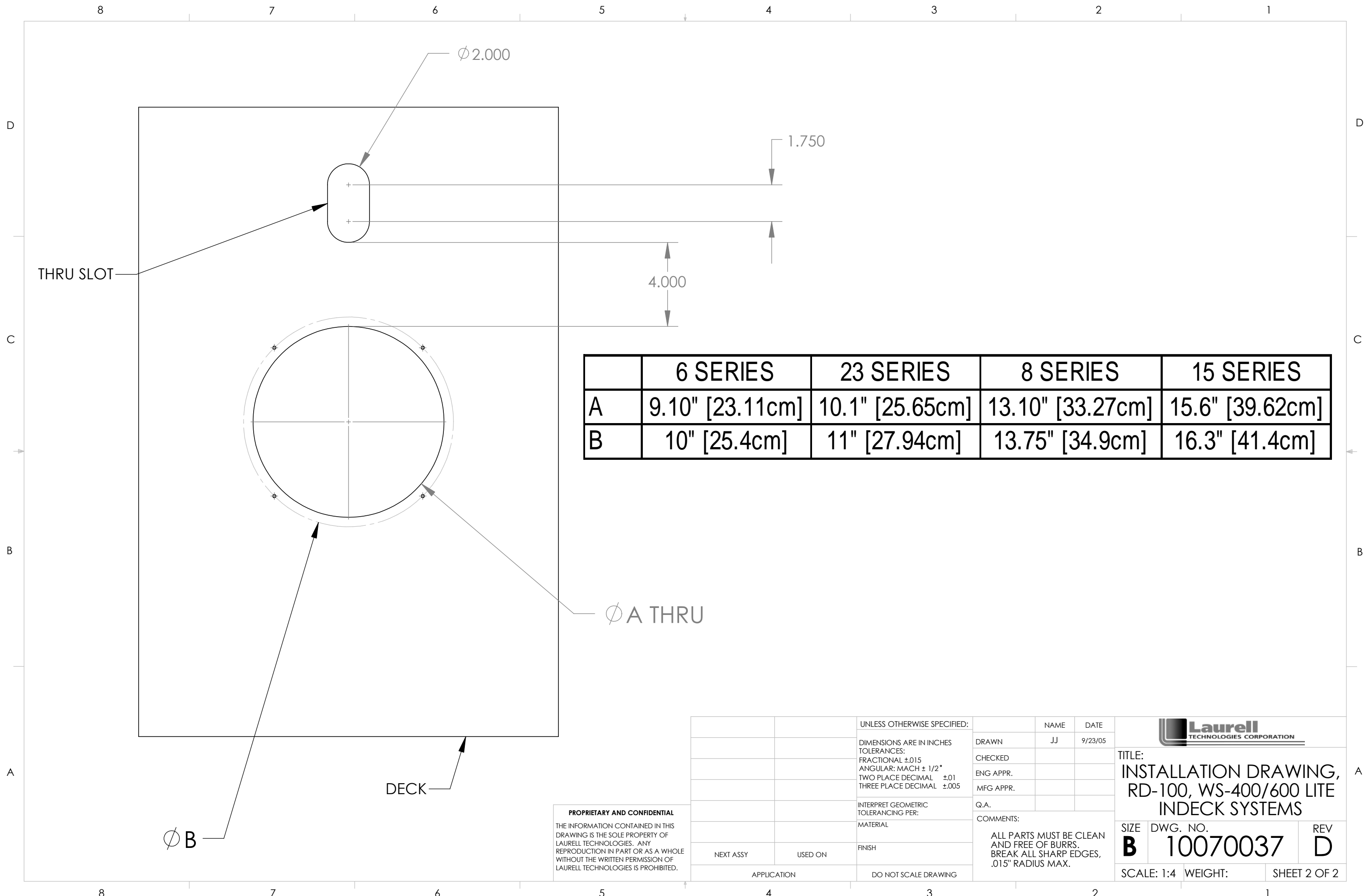


BOTTOM VIEW
 (B SERIES)

DRAIN
 \varnothing 1" [25.4 cm] FLARE.
 5' [1.5m] OF CONVOLUTED
 TUBING PROVIDED.

PROPRIETARY AND CONFIDENTIAL
 THE INFORMATION CONTAINED IN THIS DRAWING IS THE SOLE PROPERTY OF LAURELL TECHNOLOGIES. ANY REPRODUCTION IN PART OR AS A WHOLE WITHOUT THE WRITTEN PERMISSION OF LAURELL TECHNOLOGIES IS PROHIBITED.

UNLESS OTHERWISE SPECIFIED:		NAME	DATE	
DIMENSIONS ARE IN INCHES TOLERANCES: FRACTIONAL: \pm .015 ANGULAR: MACH \pm 1/2° TWO PLACE DECIMAL \pm .01 THREE PLACE DECIMAL \pm .005		DRAWN	JJ	
INTERPRET GEOMETRIC TOLERANCING PER:		CHECKED		TITLE: INSTALLATION DRAWING, RD-100, WS-400/600 LITE INDECK SYSTEMS
MATERIAL		ENG APPR.		
FINISH		MFG APPR.		SIZE DWG. NO. REV B 10070037 D
NEXT ASSY	USED ON	Q.A.		
APPLICATION	DO NOT SCALE DRAWING	COMMENTS:		SCALE: 1:1 WEIGHT: SHEET 1 OF 2
		ALL PARTS MUST BE CLEAN AND FREE OF BURRS. BREAK ALL SHARP EDGES, .015" RADIUS MAX.		



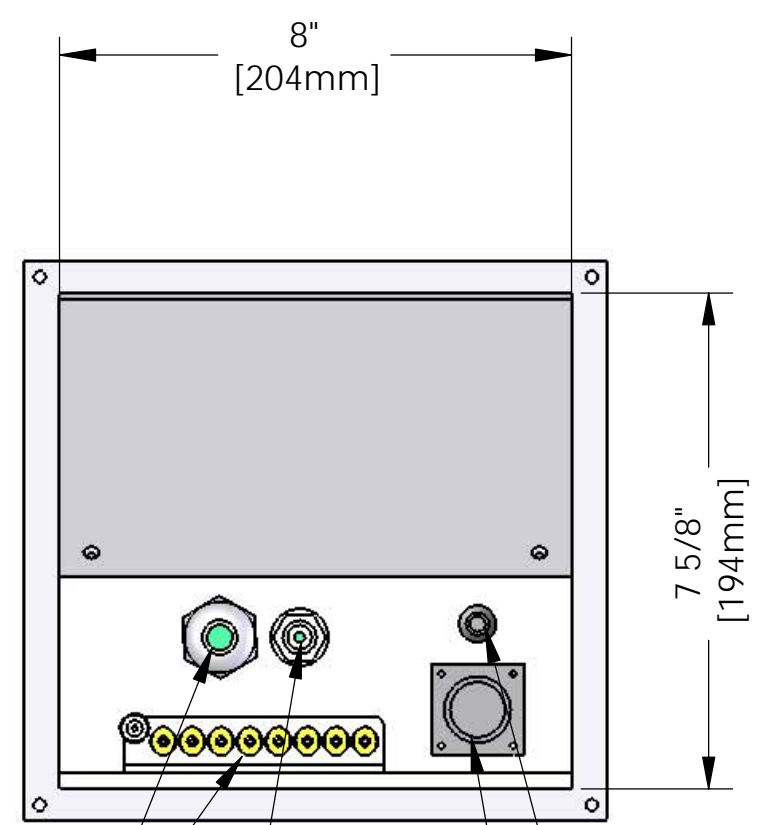
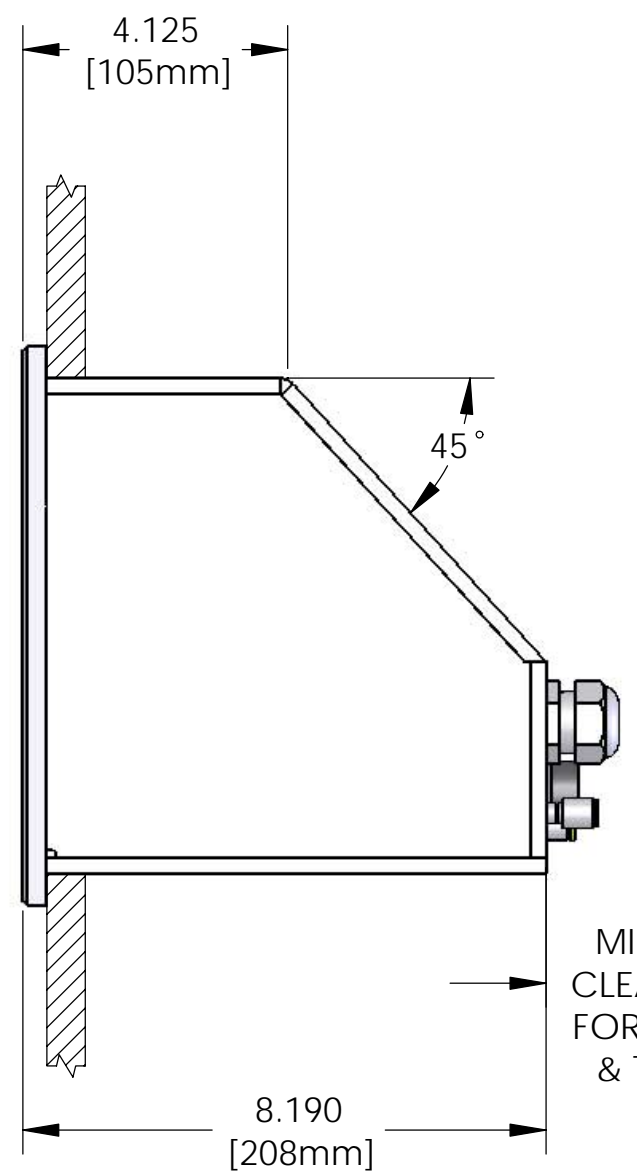
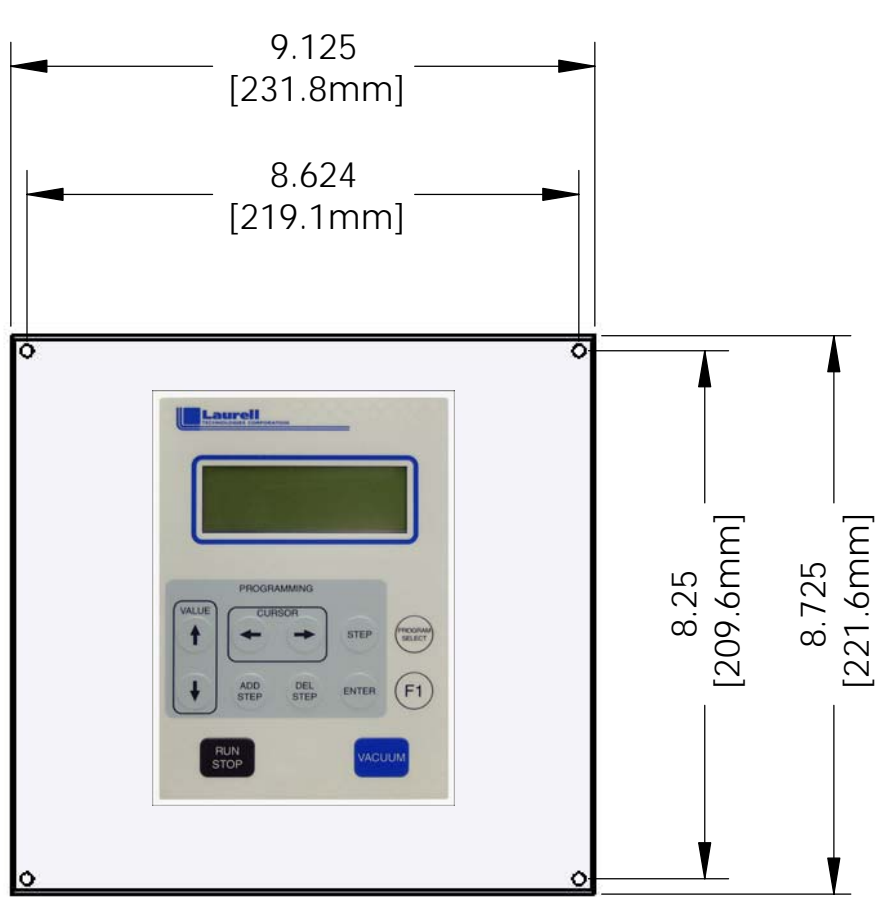
	6 SERIES	23 SERIES	8 SERIES	15 SERIES
A	9.10" [23.11cm]	10.1" [25.65cm]	13.10" [33.27cm]	15.6" [39.62cm]
B	10" [25.4cm]	11" [27.94cm]	13.75" [34.9cm]	16.3" [41.4cm]

		UNLESS OTHERWISE SPECIFIED:	NAME	DATE		
		DIMENSIONS ARE IN INCHES	DRAWN	JJ		9/23/05
		TOLERANCES:	CHECKED			
		FRACTIONAL ±.015	ENG APPR.			
		ANGULAR: MACH ± 1/2°	MFG APPR.			
		TWO PLACE DECIMAL ±.01	Q.A.			
		THREE PLACE DECIMAL ±.005	COMMENTS:	ALL PARTS MUST BE CLEAN AND FREE OF BURRS. BREAK ALL SHARP EDGES, .015" RADIUS MAX.		
		INTERPRET GEOMETRIC TOLERANCING PER:	SIZE DWG. NO. REV B 10070037 D			
		MATERIAL				
		FINISH				
NEXT ASSY	USED ON	APPLICATION	SCALE: 1:4 WEIGHT: SHEET 2 OF 2			
		DO NOT SCALE DRAWING				

PROPRIETARY AND CONFIDENTIAL
 THE INFORMATION CONTAINED IN THIS DRAWING IS THE SOLE PROPERTY OF LAURELL TECHNOLOGIES. ANY REPRODUCTION IN PART OR AS A WHOLE WITHOUT THE WRITTEN PERMISSION OF LAURELL TECHNOLOGIES IS PROHIBITED.

TITLE:
 INSTALLATION DRAWING,
 RD-100, WS-400/600 LITE
 INDECK SYSTEMS

REVISIONS			
REV.	DESCRIPTION	BY	DATE
A	INITIAL RELEASE	LC	1/3/2001



POWER CORD
 VACUUM SENSOR INPUT
 CIRCUIT BREAKER
 PILOT AIR MANIFOLD (FOR FULL SYSTEMS ONLY)
 INTERCONNECT (TO SPINNER)

UNLESS OTHERWISE SPECIFIED:		NAME	DATE							
DIMENSIONS ARE IN INCHES		DRAWN	JJ		10/21/03					
TOLERANCES:		CHECKED								
FRACTIONAL ± 015		ENG APPR.								
ANGULAR: MACH ± 1/2°		MFG APPR.								
TWO PLACE DECIMAL ± 01		Q.A.								
THREE PLACE DECIMAL ± 005		COMMENTS:	ALL PARTS MUST BE CLEAN AND FREE OF BURRS. BREAK ALL SHARP EDGES, .015" RADIUS MAX.							
INTERPRET GEOMETRIC TOLERANCING PER:		<table border="1"> <tr> <td>SIZE</td> <td>DWG. NO.</td> <td>REV</td> </tr> <tr> <td>B</td> <td>10070038</td> <td>A</td> </tr> </table>			SIZE	DWG. NO.	REV	B	10070038	A
SIZE	DWG. NO.	REV								
B	10070038	A								
MATERIAL		SCALE: 1:1 WEIGHT: SHEET 1 OF 1								
FINISH		DO NOT SCALE DRAWING								
NEXT ASSY	USED ON									
APPLICATION										

PROPRIETARY AND CONFIDENTIAL
 THE INFORMATION CONTAINED IN THIS DRAWING IS THE SOLE PROPERTY OF LAURELL TECHNOLOGIES. ANY REPRODUCTION IN PART OR AS A WHOLE WITHOUT THE WRITTEN PERMISSION OF LAURELL TECHNOLOGIES IS PROHIBITED.

TITLE:
 INSTALLATION DRAWING,
 IN-DECK CONTROL PANEL